

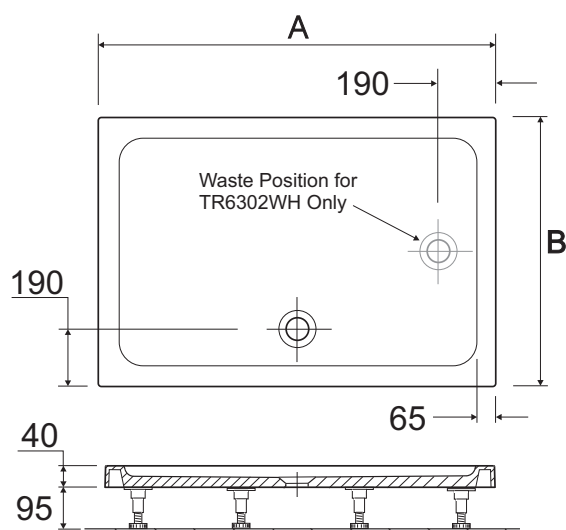
twyford trays - rectangle flat top

simple, stylish, low profile

legs & panel kit & waste to be ordered separately



Rectangle flat top tray



Part Number	Description	A	B
TR6331WH	900 x 760 Flat Top Tray	910	770
TR6341WH	1000 x 760 Flat Top Tray	1010	770
TR6342WH	1000 x 800 Flat Top Tray	1010	810
TR6351WH	1100 x 800 Flat Top Tray	1110	810
TR6361WH	1200 x 760 Flat Top Tray	1210	770
TR6362WH	1200 x 800 Flat Top Tray	1210	810
TR6463WH	1200 x 900 Flat Top Tray	1210	910
TR6381WH	1400 x 900 Flat Top Tray	1410	910
TR6391WH	1500 x 800 Flat Top Tray	1510	810
TR6301WH	1600 x 800 Flat Top Tray	1610	810
TR6302WH	1700 x 700 Flat Top Tray	1710	710
TR6303WH	1700 x 750 Flat Top Tray	1710	760

all measurements shown are in millimetres. drawing sizes are not to scale.

to specify/order:

Please use the eight character reference shown below.

rectangle - flat top shower tray

900 x 760mm	TR6331WH
1000 x 760mm	TR6341WH
1000 x 800mm	TR6342WH
1100 x 800mm	TR6351WH
1200 x 760mm	TR6361WH
1200 x 800mm	TR6362WH
1200 x 900mm	TR6463WH
*1400 x 900mm	TR6381WH
*1500 x 800mm	TR6391WH
*1600 x 800mm	TR6301WH
*1700 x 700mm	TR6302WH
*1700 x 750mm	TR6303WH

accessories

Standard legset & panel kit (for trays up to 1200mm) **TR6012WH**

Extension legset & panel kit (for trays over 1200mm) **TR6013WH**

90mm high flow waste kit, chrome plated **SF8888XX**

applications

Commercial, Domestic, Education, Healthcare, Hotels and Leisure.

material

Tray: 2/2.5mm acrylic capped ABS, reinforced with limestone filled polyconcrete.

Panel: 2mm gloss UPVC (Unplasticized polyvinyl chloride).

colours

White WH.

fixings

All trays can be installed flat to floor, or used in conjunction with legset & panel kit (to be ordered separately). All fixings and instructions included.

*If installing with legs & panels, BOTH a standard leg/panel kit AND an extension leg/panel kit must be ordered.